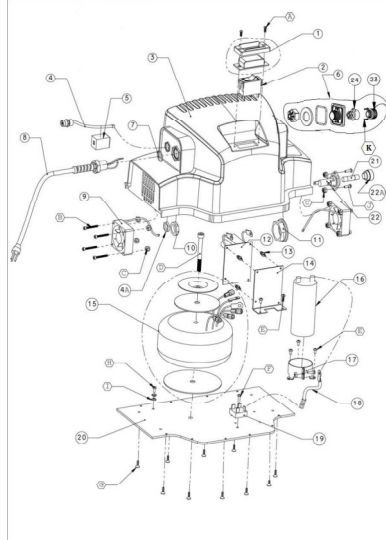
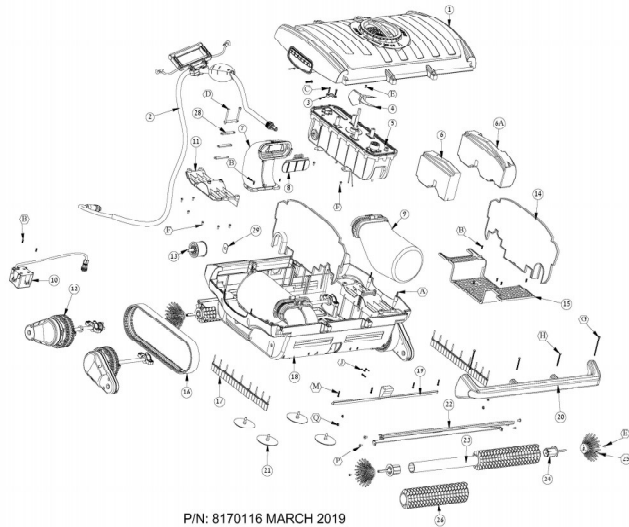


DOLPHIN WAVE 300 XL

06 PS WAVE 230V ASSY EU

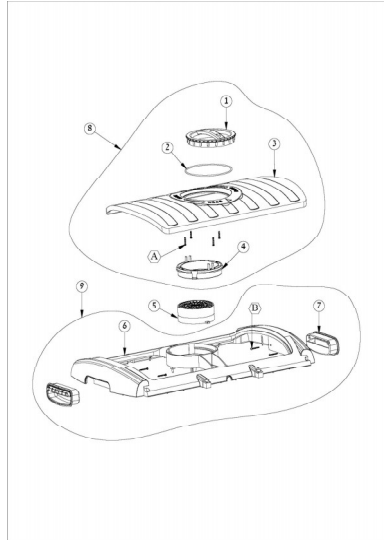


07 WAVE 300 - CATALOG KIT

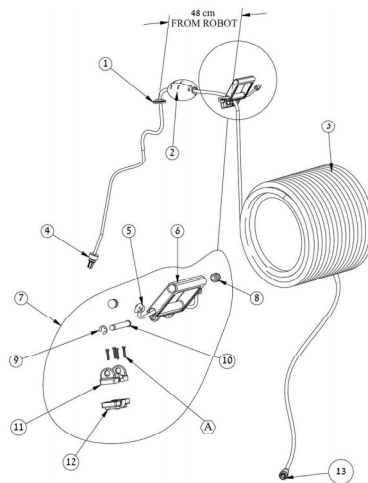


P/N: 8170116 MARCH 2019

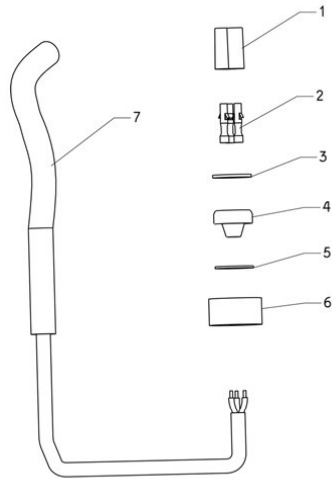
07.01 WAVE 300 TOP COVER - CATALOG KIT



07.02 WAVE 300 CABLE - CATALOG KIT



07.02.04 RETROFIT FOR CABLE CON. - WAVE



September 2004 - 8170051

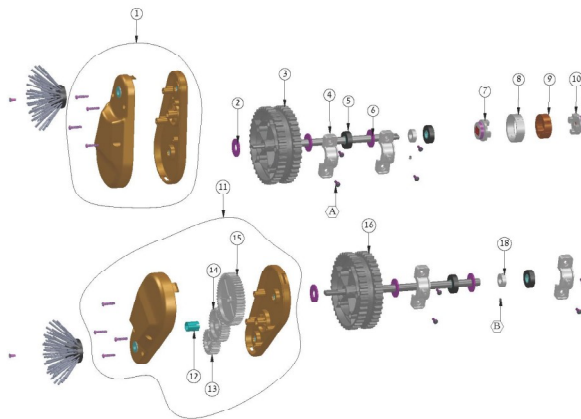
07.05 MOTOR UNIT WAVE - CATALOG KIT



07.09 FILTER BAGS WAVE - CATALOG KIT



07.12 WAVE 300 ARM BRUSH - CATALOG KIT



07.A SCREW - WAVE SCREWS KIT



07.B WAVE 300XL SCREWS KIT TOP BODY



